

CABERNET SAUVIGNON TOSCANA I.G.T.

ml 1500
(GEMMA10)



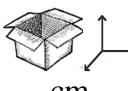






UVE
GRAPES Cabernet Sauvignon
REBSORTE 100%

ZONA DI PRODUZIONE Toscana
PRODUCTION AREA Tuscany
ANBAUGEBIET Tuscan

CONTENUTO ALCOLICO
ALCOHOL 13,50% vol.
ALKOHOLGEHALT

SERVIRE A
WINE-SERVING TEMPERATURE 18° C.
SERVIERTEMPERATUR



 ml 1500	 x 6	 cm 33x22,5x37 h	 8006366002674
 kg x Peso Lordo Gross Weight Bruttogewicht 15,50	 Peso Netto Net Weight Nettogewicht 9,00	 n° 44 (4X11)	 kg 680  cm 120x80x160 h

MONTEVERDI VINI SRL
VIA A. MORO, 19
26851 BORGO SAN GIOVANNI (LO)
ITALIA
www.monteverdivini.it
e-mail: info@monteverdivini.it